

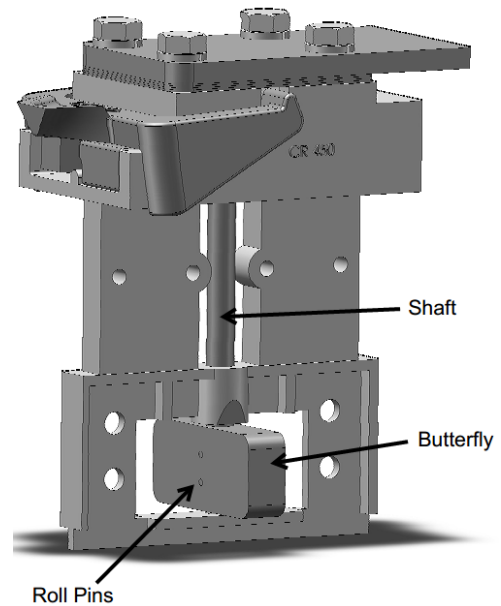
Interlock Shaft and Butterfly Replacement

This instruction sheet is for field replacement of Shaft and Butterfly in the following Interlock Assemblies:

200 Series Interlocks	Model No.	Shaft	Butterfly
10-1732-00 (Conn. Interlock)	2I-513	10-1605-00	25-1750-01
10-1649-00 (Crane Int'l)	2I-515	10-1605-00	25-1750-01
10-1734-00 (Conn. Interlock)	2I-850	10-1646-00	25-1750-01
10-1909-00 (Crane Int'l)	2I-930	10-1646-00	25-1750-01
325 Series Interlocks	Model No.	Shaft	Butterfly
10-1733-00 (Conn. Interlock)	3I-450	10-1658-00	25-1805-00
10-1919-00 (Crane Int'l)	3I-430	10-1658-00	25-1805-00
10-1663-00 (Conn. Interlock)	3I-613	10-1605-00	25-1805-00
10-1912-00 (Crane Int'l)	3I-615	10-1605-00	25-1805-00

Note: the Shaft and Butterfly must be replaced as a set, match drilled and field pinned.

- 10-1605-00 Shaft (also order and replace with butterfly, #25-1750-01 if used on 200 Series rail, #25-1805-00 if used on 325 Series rail)
- 10-1646-00 Shaft (also order and replace with butterfly #25-1750-01)
- 10-1658-00 Shaft (also order and replace with butterfly #25-1805-00)
- 21-1270-00 Spirol Pin



3I-430 Interlock

Assembly Procedure:

Install Shaft and Butterfly into Interlock Housing in interlocked position; clamp in place; drill as shown in detail below; install two Spirol pins, #21-1270-00.

