

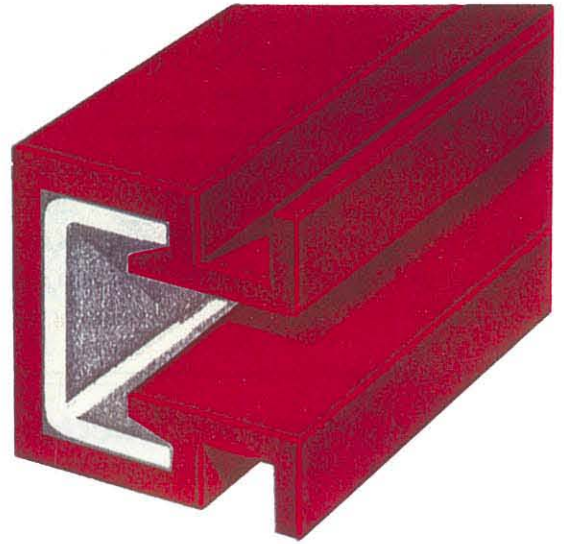


## SHIELDED CHANNEL-BAR ELECTRIFICATION

### The Answer In Electrifying:

- Traveling Cranes
- Trolleys
- Monorails
- Hoists

...And many other applications where an economical and reliable power system is required.

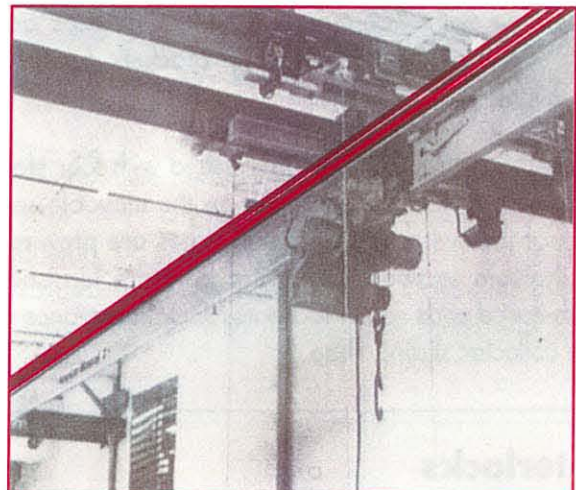
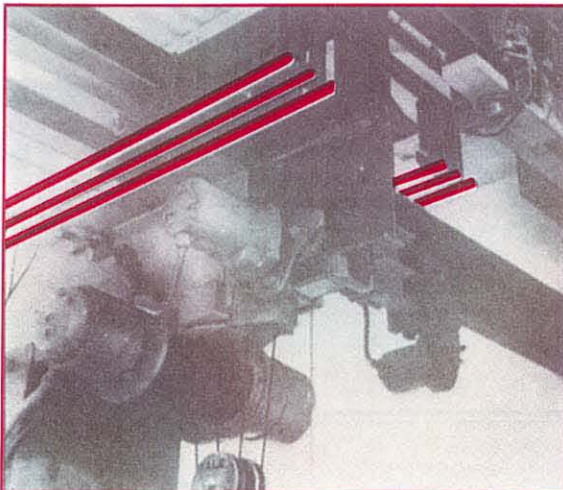


TC/American shielded electrification is highly versatile for crane and monorail systems, and is noted for years of trouble-free service.

TC/American conductor bars are roll-formed electro-galvanized steel sections, 105 amp. continuous capacity.

Standard conductor bars are furnished with a red cover for temperatures up to 150°F... ***And our new high temperature bar, in a yellow cover, is good for temperatures up to 266°F.***

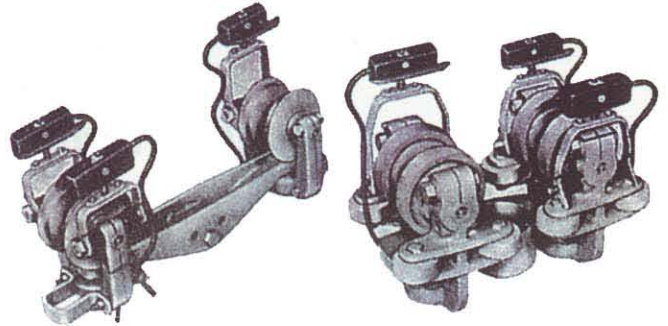
Standard lengths are available from stock and can be bent on-site. Heavy-duty sliding-shoe collectors furnish power to the moving equipment on monorail or crane systems. Conductor bars are easily installed on brackets for existing and new installations.



- Versatile...easy electrification of existing non-powered systems.
- Can be used with rail or track of any manufacture.
- Easily installed, easily moved or modified.
- Eliminates exposed or open conductors.
- Maximum protection provided by almost totally enclosed current-carrying surface.
- Spring-loaded collector assures continuous and sure electrical contact.
- Electro-galvanized to increase conductivity and to prevent corrosion.

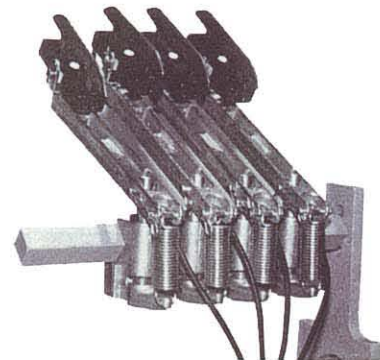
## Side Contact Collectors

TC/American sliding-shoe collectors are used to transmit electrical power from a stationary electrification system to moving cranes and trolleys. The compact design of the collector assembly and support arms permits safe operation in close clearances such as through switches and interlocks. TC/American side-contact collectors can be used on straight or curved track, even with a radius as small as 3'0".



## Bottom Contact Collectors

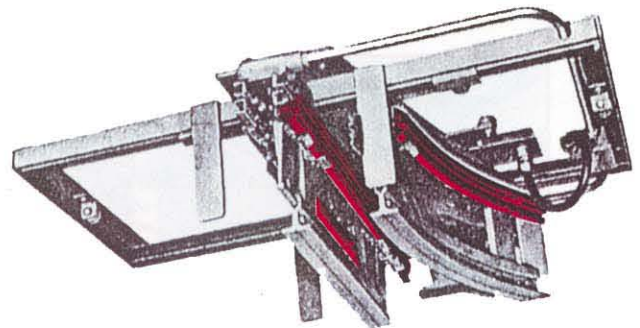
TC/American bottom contact collectors are used for crane and monorail electrification when there is a need for greater number of conductor bars than can be accommodated vertically. Collectors are supported by a horizontal bracket and are designed specifically for TC/American trolleys and trolley drivers. For use with straight systems or large radius curves.



## Curves and Switches

TC/American curves can be equipped with shielded Channel-Bar electrification. Standard curves are furnished with web-mounted conductor bars and shipped loose with mounting brackets for field installation.

TC/American switches are furnished with four electrical conductor bars mounted on the movable section of the switch. Electrified switches are prewired to the shift sections. Conductor bars are furnished with flared ends which facilitates smooth entrance of the collector sliding shoe.



## Interlocks

TC/American crane bridges, interlocks and crossovers are normally pre-wired at the factory to provide electrical continuity through the system. Conductor bars for interlocks and crossovers are furnished with flared ends.

